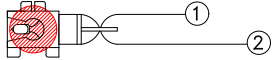


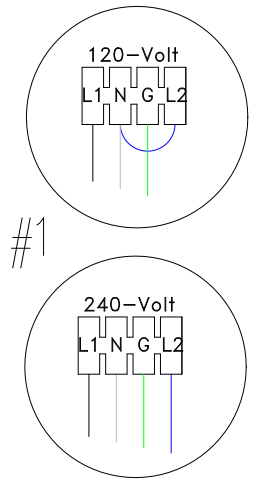
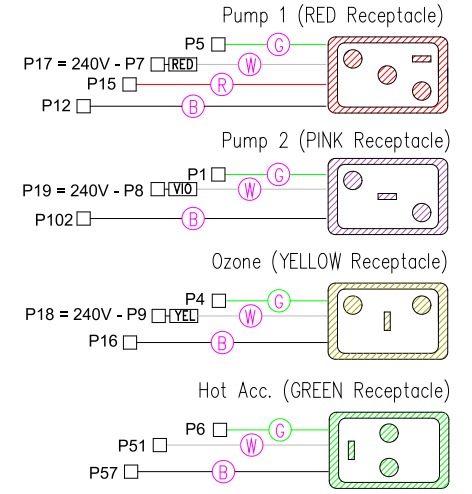
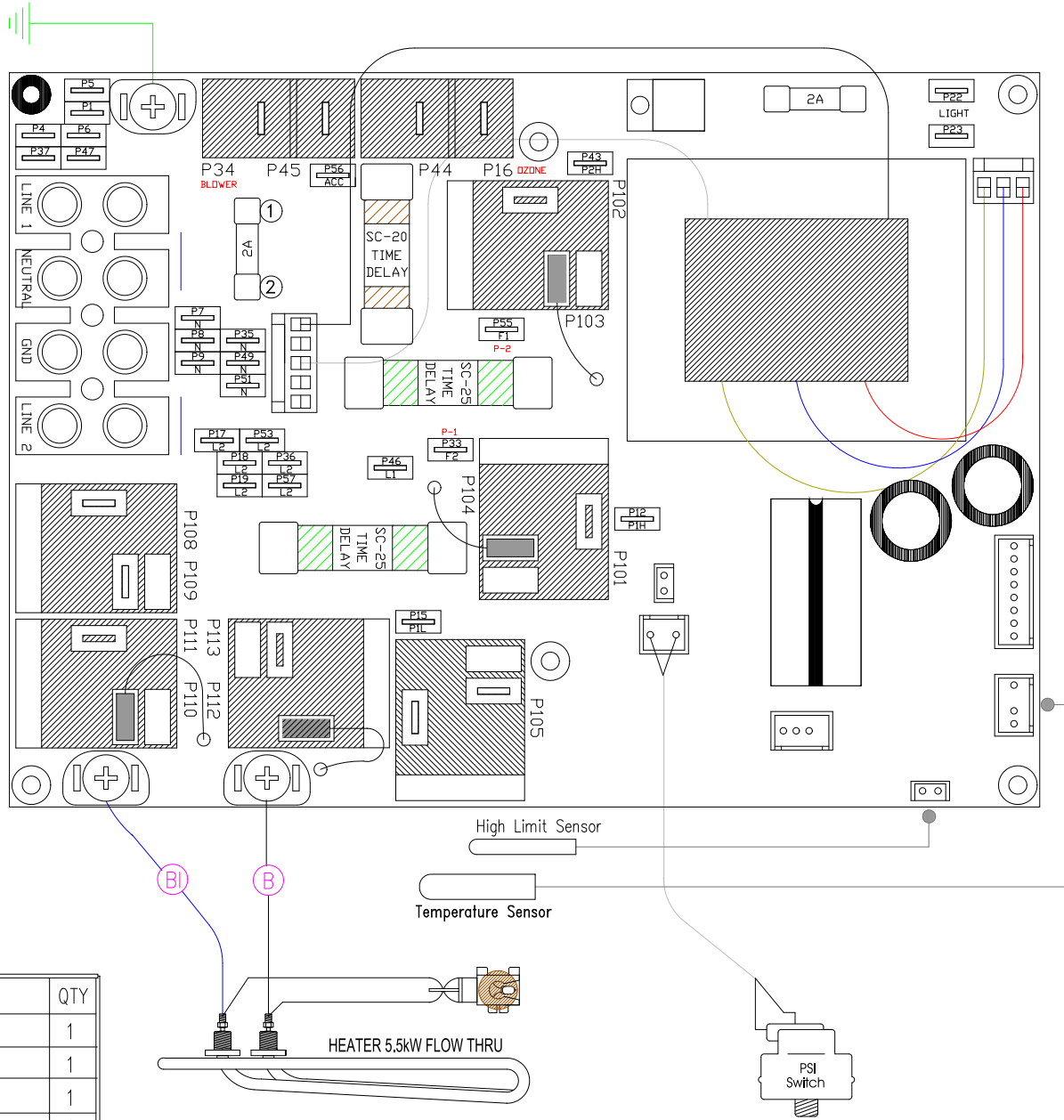
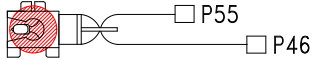
SYSTEM FUSE



PUMP 1 FUSE



AUXILIARY FUSE



PART NUMBER	DESCRIPTION	QTY
33-0024-R6	PCB, DIG. ECO-2, 120V	1
26-0071	HEATER, 5.5kW FLOW THRU	1
34-0178	SWITCH, PRESSURE, 1AMP	1
34-0201D	HIGH LIMIT SENSOR, 18"	1
34-0203D	TEMPERATURE SENSOR, 10FT	1

HYDRO-QUIP
CORONA, CA (951) 273-7575

Manufacture Notes:

#1 Line 2 and Neutral need to be jumpered for 120V operation.

Drawn	Rev	Wire Color Code
GC	4	B - Black G - Green Br - Brown Bl - Blue R - Red V - Violet O - Orange W - White Y - Yellow Gr - Gray
Date	02.02.07	
Diagram No.	6813	

LEGEND

- - 1/4" QUICK CONNECT
- ▢ - 1/4" QUICK CONNECT PIGGYBACK
- ⊕ - FORK CONNECTOR
- - RING CONNECTOR
- ◻ - SOCKET CONNECTOR
- △ - PIN CONNECTOR